

2009.---

**OROS – 8249 NH CX 740-860, NH CS, 8242 NH TC 56 CSŐTÖRŐ  
TARTALOMJEGYZÉK**

**1.329.710**

742.	Váz szerelt
743.	Gyújtócsiga szerelt
778.	Tengely bal szerelt
779.	Tengely jobb szerelt
869.	Oldalhajtás -77.5/80cm-
872.	Oldalhajtás 8R-77.5/70/76.2cm-
895.	Lánckerekek
826.	Láncfeszítés
967.	Törőegység szerelt
873.	Hajtómű
875.	Hajtómű összekötések
874.	Törőegység összetétel
950.	HSA szerelt
865.	Törőléc állító mechanizmus
717.	Törőegység összekötők, burkolattartók
942.	Műanyag középső burkolatok - 76.2-80cm
932.	Műanyag középső burkolatok - 70cm
840.	Műanyag szélső burkolatok
915.	Oldalmagasítás
781.	Jobb első burkolatok
782.	Bal első burkolatok
897.	Felszerelő készlet
624.	Címkegarnitúra

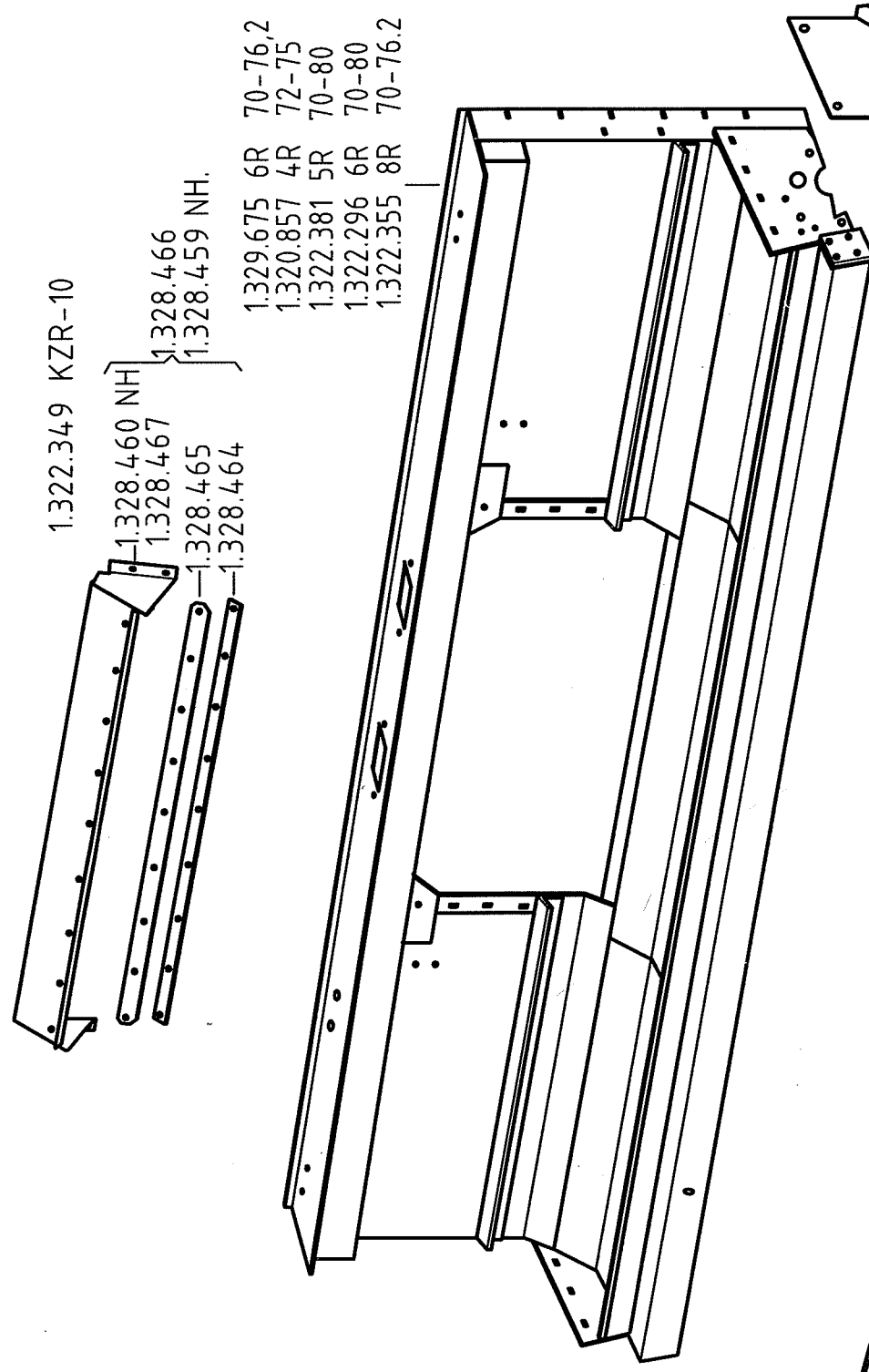
2009.---

КУКУРУЗНАЯ ЖАТКА OROS – 8249 NH CX 740-860, NH CS, 8242 NH TC 56

1.329.710

742.	Каркас монтированный
743.	Консольный шнек монтированный
778.	Вал левый монтированный
779.	Вал правый монтированный
869.	Боковой привод – 77.5/80 см
872.	Боковой привод 8R-77.5/70/76.2 см
895.	Звёздочки
826.	Натяжение цепи
967.	Русло монтированное
873.	Приводной механизм
875.	Соединения приводного механизма
874.	Содержание русла
950.	ХША монтированный
865.	Установочный механизм рейки срывания початков
717.	Соединения русла, держатели обшивки
942.	Средние пластмассовые обшивки - 76.2-80см
932.	Средние пластмассовые обшивки - 70см
840.	Крайние пластмассовые обшивки
915.	Борта
781.	Правые передние обшивки
782.	Левые передние обшивки
897.	Монтировочный набор
624.	Набор этикеток

742



1.322.349 KZR-10

1.328.460 NH

1.328.467

1.328.465

1.328.464

1.328.466

1.328.459 NH.

1.329.675 6R 70-76,2

1.320.857 4R 72-75

1.322.381 5R 70-80

1.322.296 6R 70-80

1.322.355 8R 70-76.2

1.322.224 4R

1.320.258  
5,6,8R

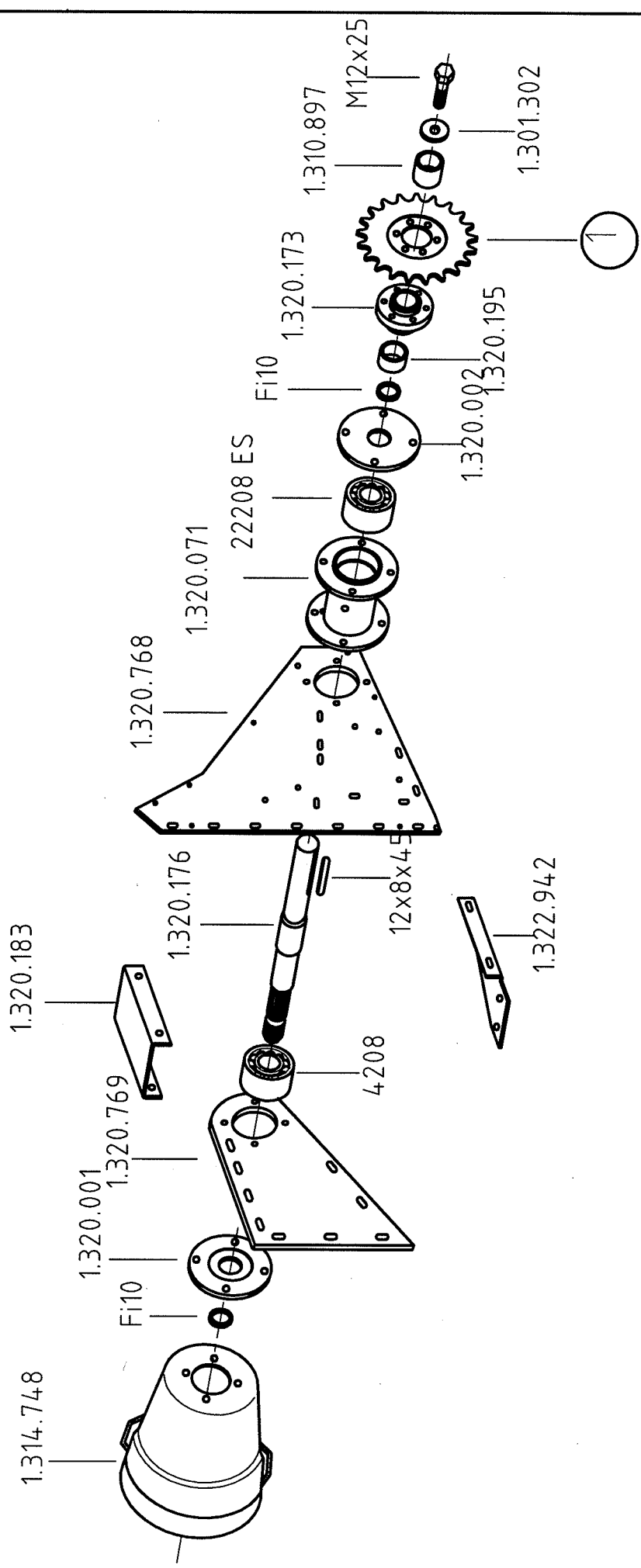
25.541.14.50.00

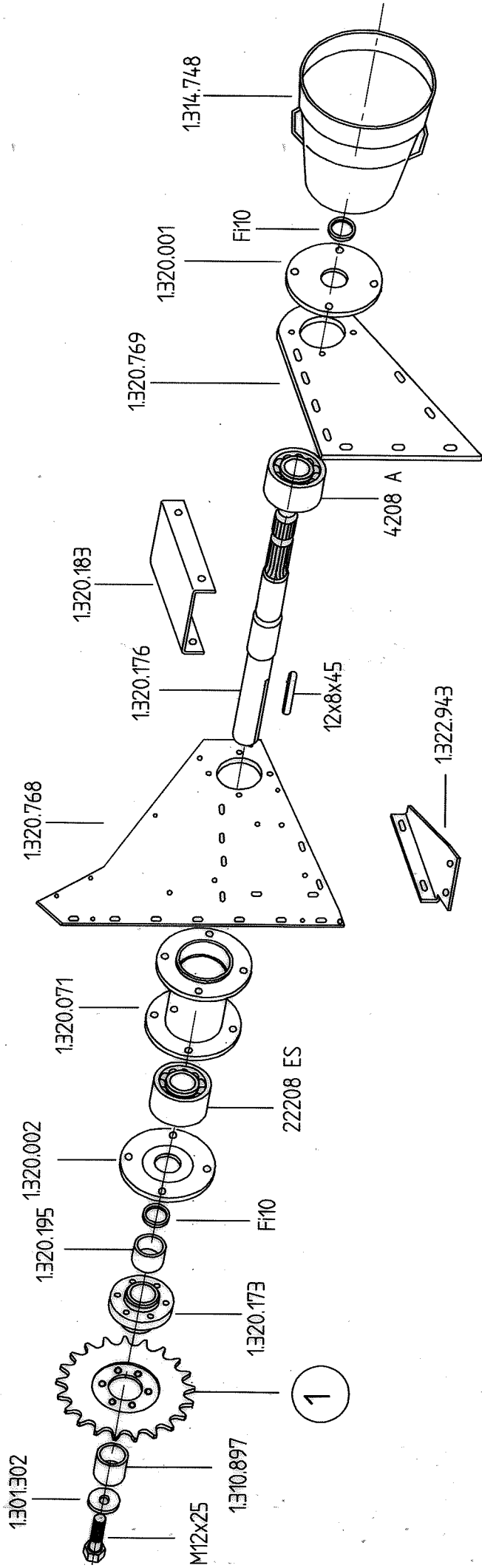
1.322.039  
5,6,8R

1.322.037  
5,6,8R

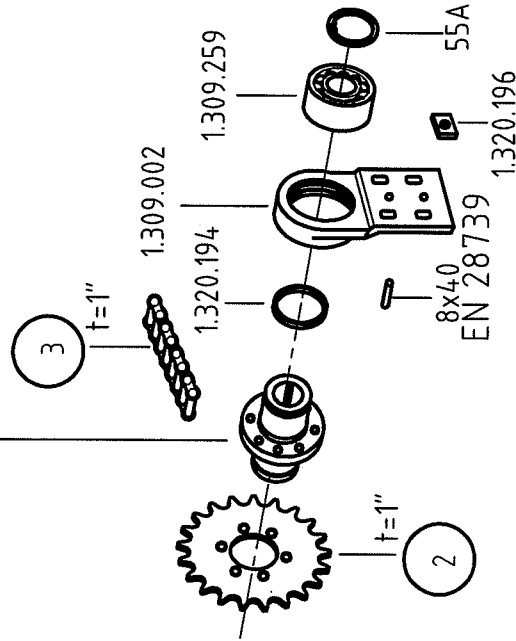
1.322.039  
5,6,8R



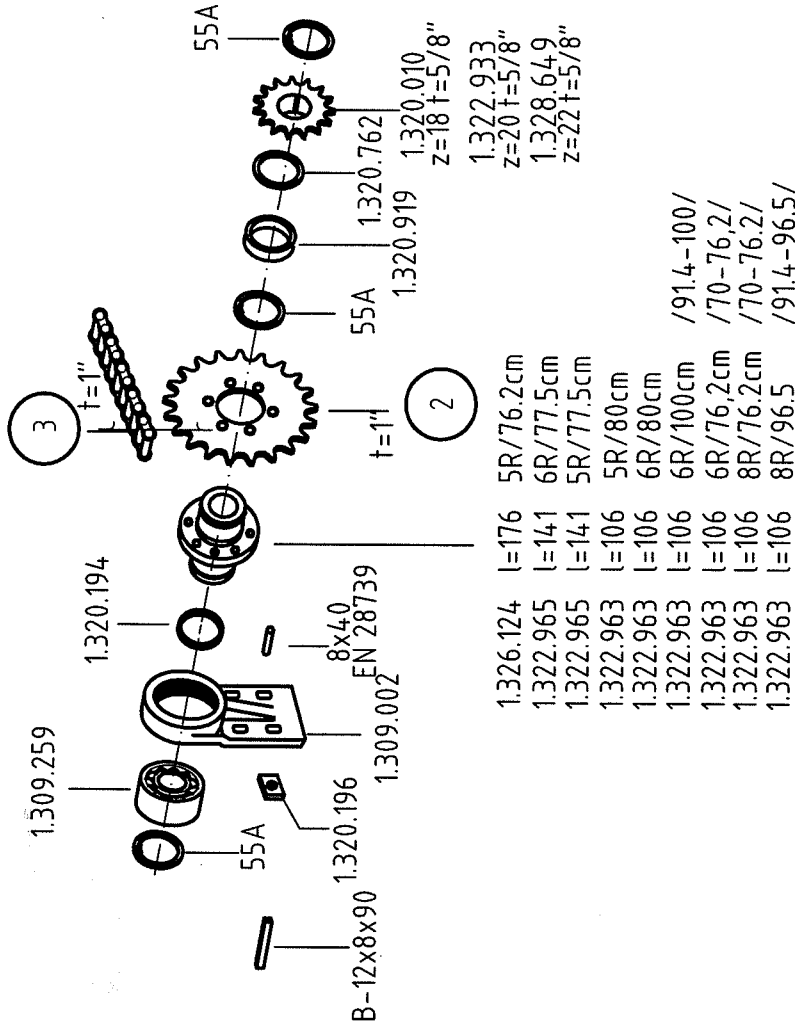




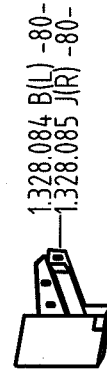
1.326.127 l=139 5R/76.2cm  
 1.322.966 l=104 6R/77.5cm  
 1.322.966 l=104 5R/77.5cm  
 1.322.964 l=70 5R/80cm  
 1.322.964 l=70 6R/80cm  
 1.322.964 l=70 6R/76.2cm/70-76.2/  
 1.322.964 l=70 6R/100cm /91.4-100/  
 1.322.964 l=70 8R/76.2cm/70-76.2/  
 1.322.964 l=70 8R/96.5cm/91.4-96.5/



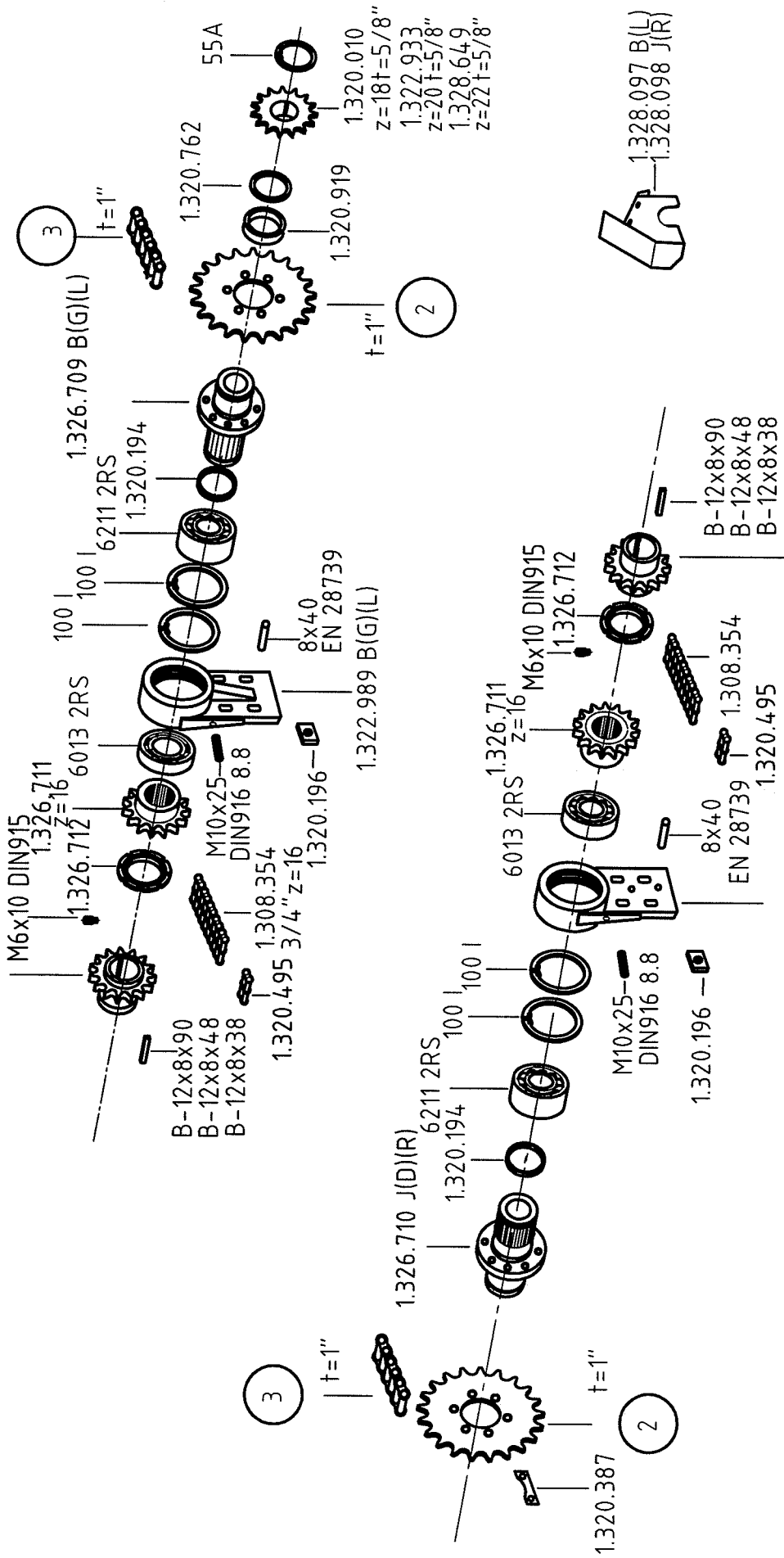
5R-6R/76.2  
 5-6-R/77.5/80cm  
 6R/100cm  
 8R/76.2/96.5cm



1.326.124 l=176 5R/76.2cm  
 1.322.965 l=141 6R/77.5cm  
 1.322.965 l=141 5R/77.5cm  
 1.322.963 l=106 5R/80cm  
 1.322.963 l=106 6R/80cm  
 1.322.963 l=106 6R/100cm  
 1.322.963 l=106 6R/76.2cm  
 1.322.963 l=106 8R/76.2cm  
 1.322.963 l=106 8R/96.5  
 /91.4-100/  
 /70-76.2/  
 /70-76.2/  
 /91.4-96.5/



1.323.895 l=170 8R/70 /70-76/  
 1.322.996 l=105 8R/91.4 /91.4-96.5/



8R/70,91.4

1.329.810 l=120 8R/70 /70-76/+HSA  
 1.322.996 l=105 8R/91.4 /91.4-96.5/  
 1.323.895 l=170 8R/70

872

2007.



OROS + SA

①	②	③	HALF EYE	PATENT EYE
1.320.011 z=21 t=1"	1.320.011 z=21 t=1"	1.326.717 x=93 t=1"	1.320.488 t=1"	1.320.489 t=1"
1.326.252 z=23	—	—	—	—

'B'

'B'

SA

1.307.404 z=40 t=3/4"	1.306.492 z=16 t=3/4"	1.309.236 x=89 t=3/4"	1.320.494 t=3/4"	1.320.495 t=3/4"
1.307.401 z=34 t=3/4"	1.307.341 z=18 t=3/4"	—	—	—

'A'

'B'

n=580

'A' TC N°Sxxx252001 - ig; TX 62-68 N°S xx1246001-ig

'B' TC N°Sxxx252001-fol; TX 62-68 N°S xx1246001-fol

NH

2007.

OROS + HSA

①	②	③	HALF EYE	PATENT EYE
1.307.496 z=28 t=3/4"	1.307.367 z=24 t=3/4"	1.319.157 x=125 t=3/4"	1.320.494 t=3/4"	1.320.495 t=3/4"
1.307.499 z=25 t=3/4"	—	—	—	—
1.307.498 z=32 t=3/4"	—	—	—	—

'B'

'B'

'A'

1.306.104

Z=15  
F=3/4"

M12 DIN6798/A

52 I

M12x25

1.302.240

6205 ZZ  
25x52x15

1.320.344

1.320.343

1.314.113

1.322.012

1.320.484

6205 ZZ

52 I

1.306.104

Z=15  
F=3/4"

25 A

1.322.209

1.326.775

1.304.144

1.320.242

1.320.463

1.322.012

1.320.484

6205 ZZ

52 I

1.306.104

Z=15  
F=3/4"

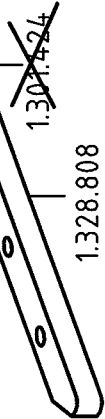
25 A

1.322.210

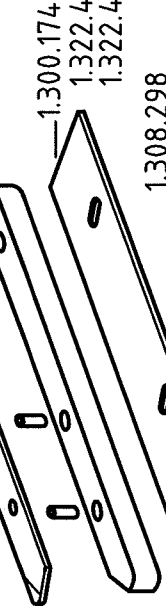
1.328.815 df=93mm  
 z=10 t=30  
 1.327.987 df=102mm  
 z=10 t=30



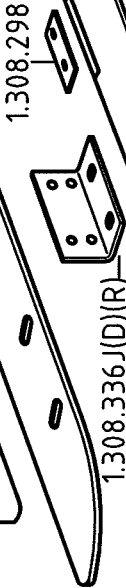
1.328.808



1.301.819  
 1.300.160  
 1.301.424



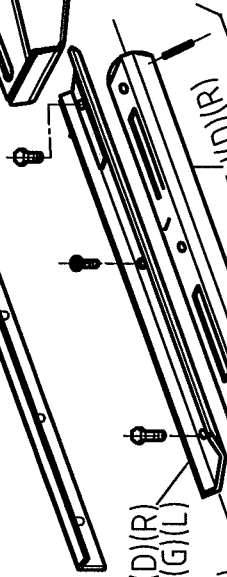
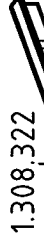
1.300.174  
 1.322.421J(D)(R)  
 1.322.422B(G)(L)



1.308.298

1.308.336J(D)(R)  
 1.308.337B(G)(L)

1.308.322



1.328.445  
 1.328.446J(D)(R)  
 1.328.447B(G)(L)

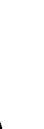
1.328.443J(D)(R)



1.300.134



1.300.179



236.944.0



1.353.303

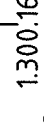


M12x75  
 DIN 609

1.301.982-1mm  
 1.300.170-3mm

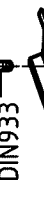


1.301.152



1.308.323

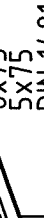
M10X20 V.P.  
 DIN933



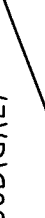
1.308.456  
 M10X25



M10X25 V.R.  
 DIN933



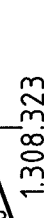
1.308.356B(G)(L)



8x75  
 5x75  
 DIN 1481



1.328.444B(G)(L)



1.300.152

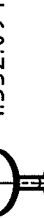


1.300.154



1.300.149

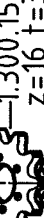
1.332.094



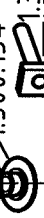
1.300.155



6306-2RS



1.300.153  
 z=16 t=30



1.300.154



1.300.141J(D)(R)  
 1.300.144B(G)(L)



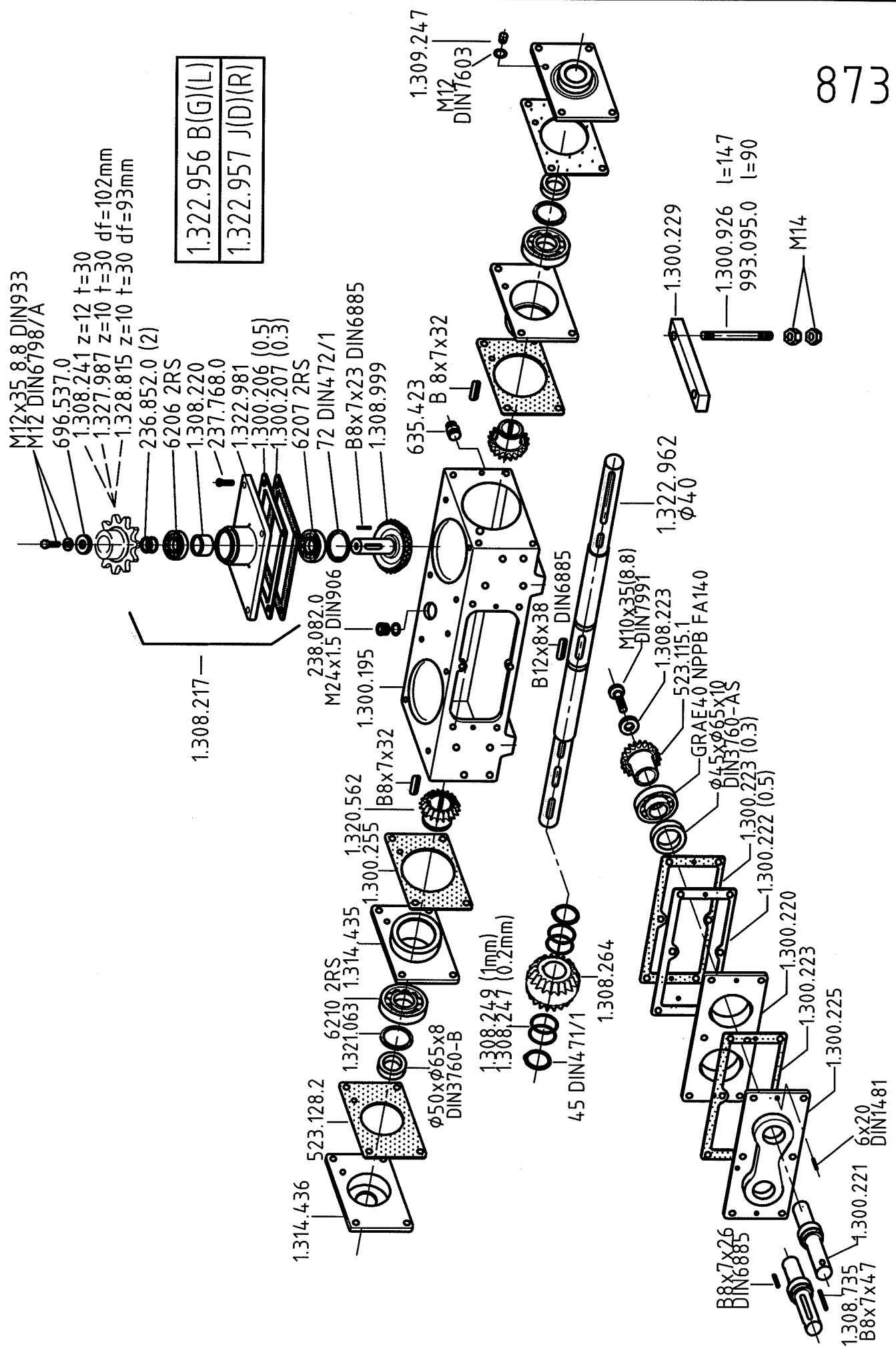
1.308.194  
 1.300.149

1.300.998

967

1.300.162

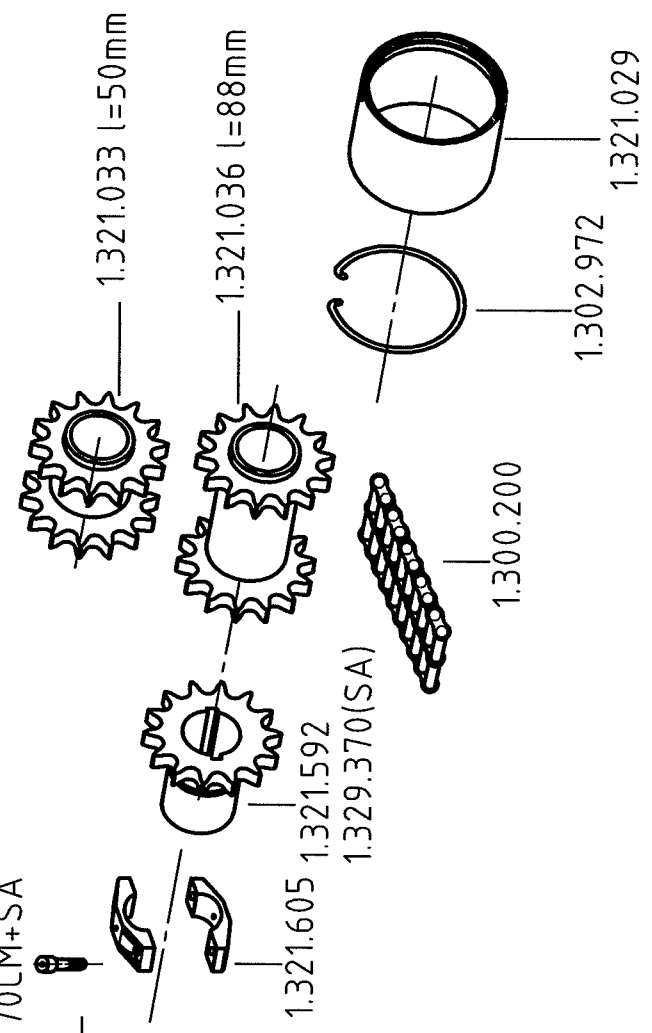
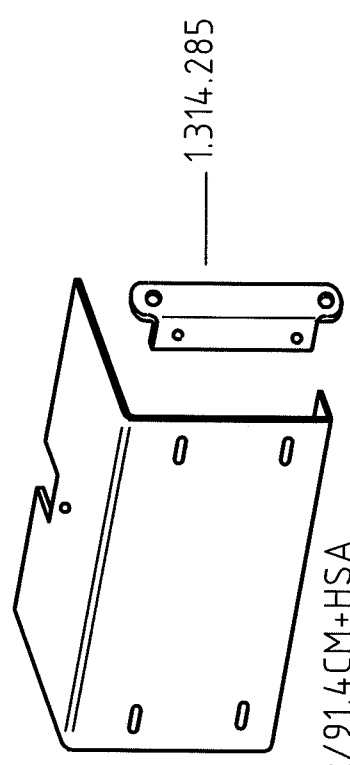
2010.



1.322.956 B(G)(L)
1.322.957 J(D)(R)

- 1.329.432 181 mm 4,5,6,8R/70 CM+HSA (70-76,2)
- 1.316.910 236 mm 4+2X2/3X70+4X72 SOLO; HSA 6R/70 SOLO (70-76,2)
- 1.314.658 201mm 4,5,6R/72 CM+HSA
- 1.314.659 146mm 4,5,6R/72+HSA; 4+2X2/3X70+4X72CM+HSA
- 1.314.660 243mm 4,5,6R/76,2+HSA
- 1.314.661 188mm 5,6,4+2R/76,2 CM +HSA
- 1.314.662 256mm 4,5,6/72 CM; 4+2X2/3X70+4X72
- 1.314.663 298mm 4,5,6,8,4+2X2R/76,2; 4+2X2R/80CM
- 1.314.664 281mm 5,6R/80 CM+HSA
- 1.314.665 226mm 4,5,6,4+2,4+2X2/80 CM+HSA
- 1.314.666 336mm 5,6,8R/80CM SOLO; 4+2,4+2X2/80CM+HSA; 6R,8R/91,4CM+HSA
- 1.307.397 290mm 4,5,6R/70CM+SA

M12x30 IP. —  
DIN912-10.9



4R 70cm HSA

4R

5R 70cm HSA

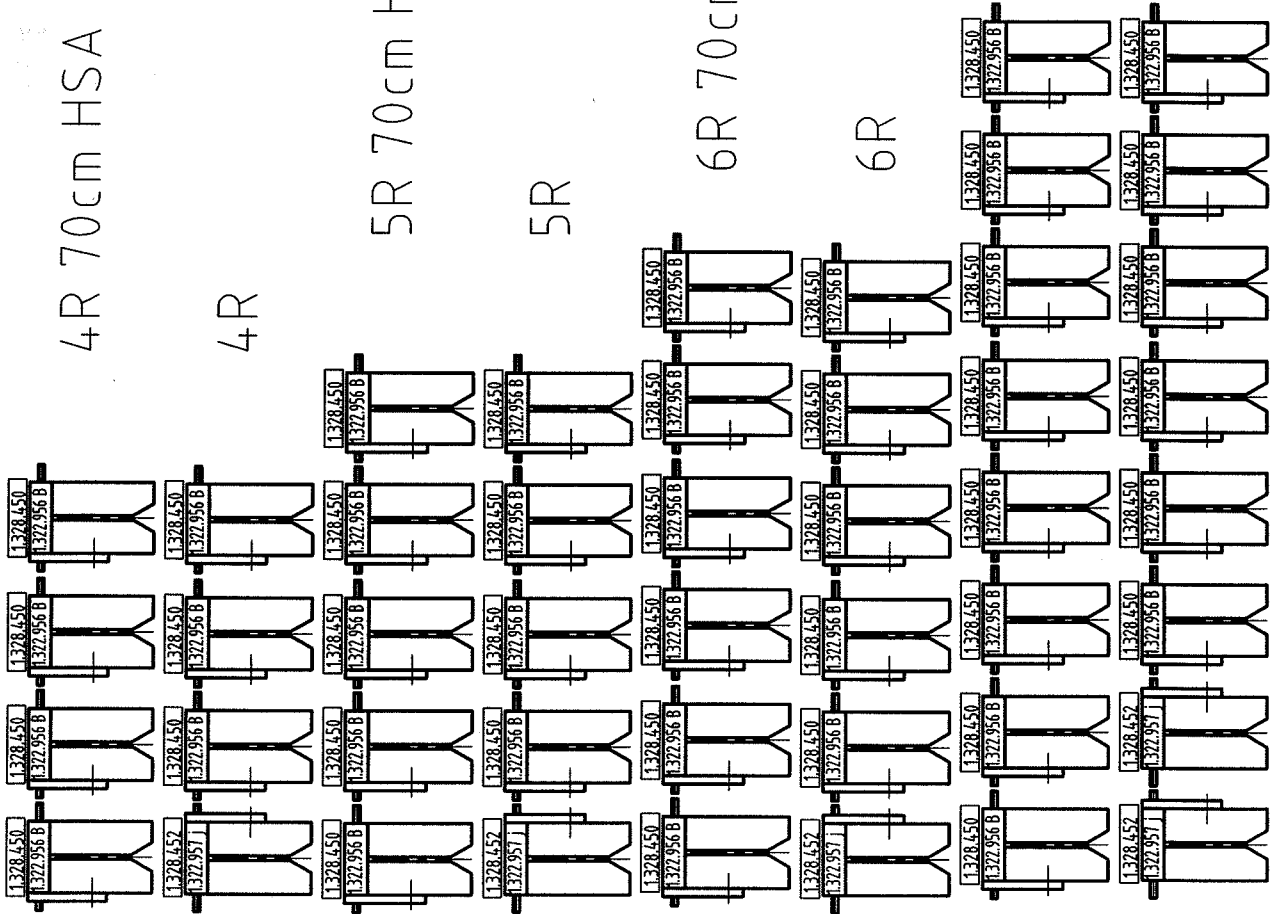
5R

6R 70cm HSA

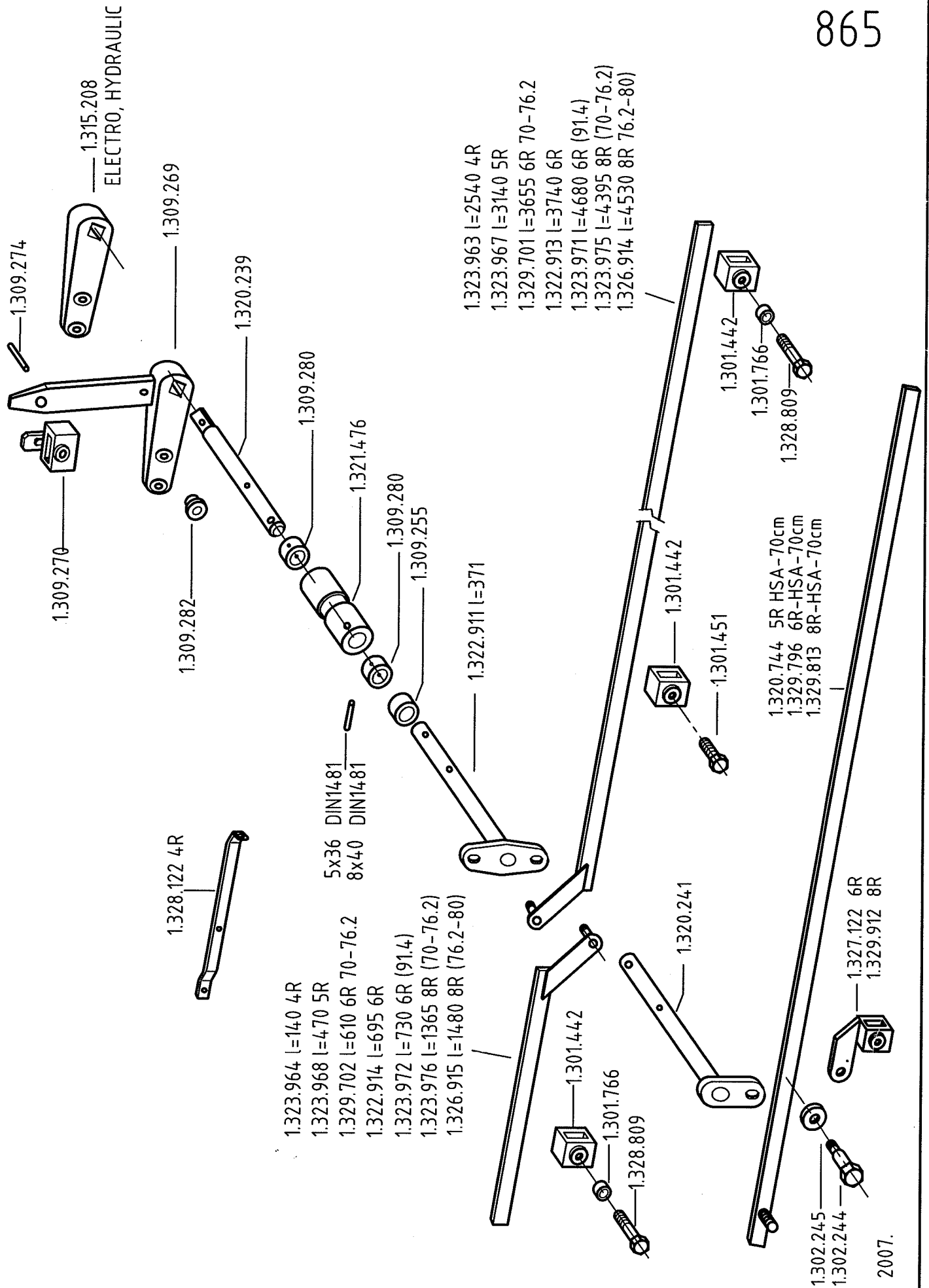
6R

8R 70cm HSA

8R

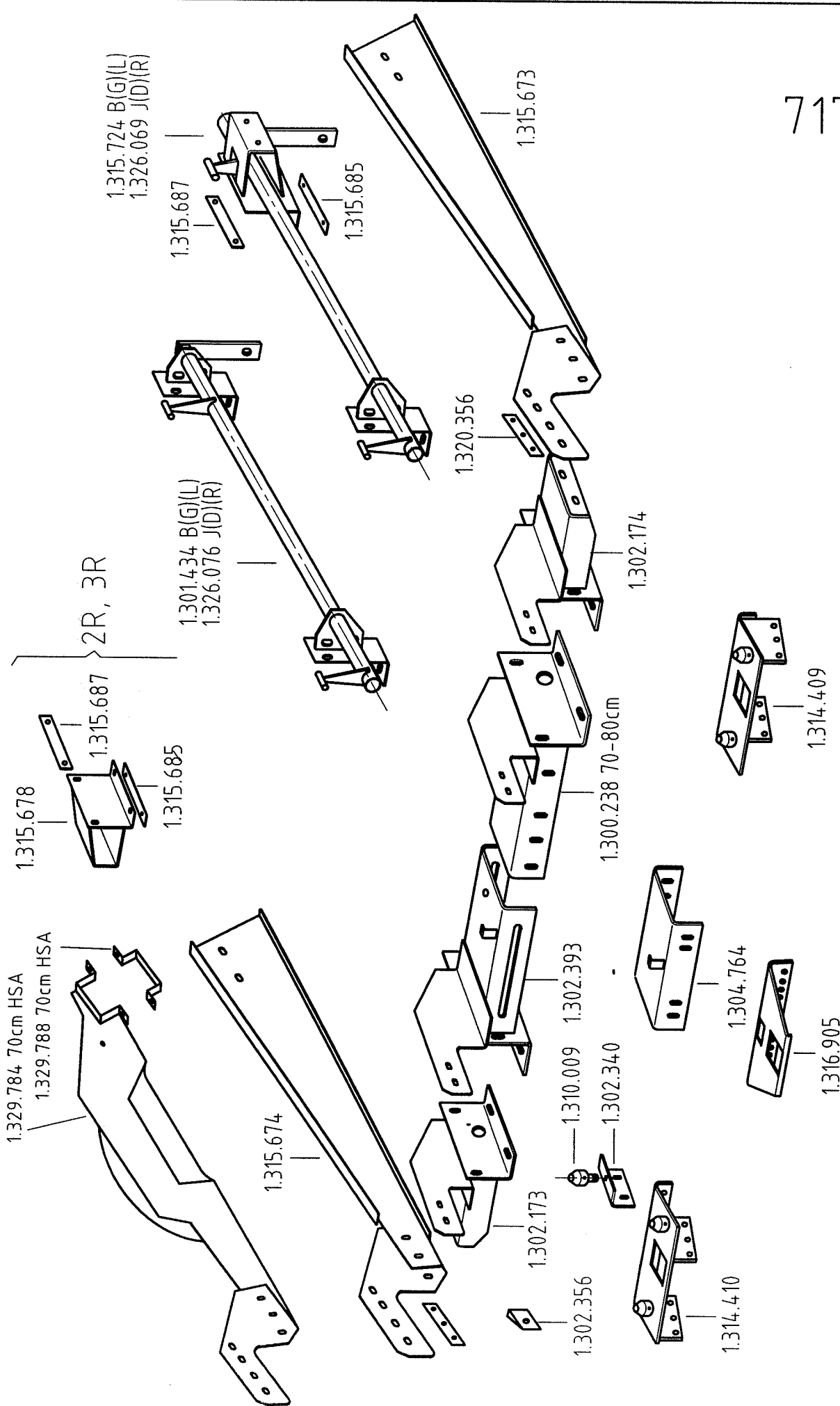




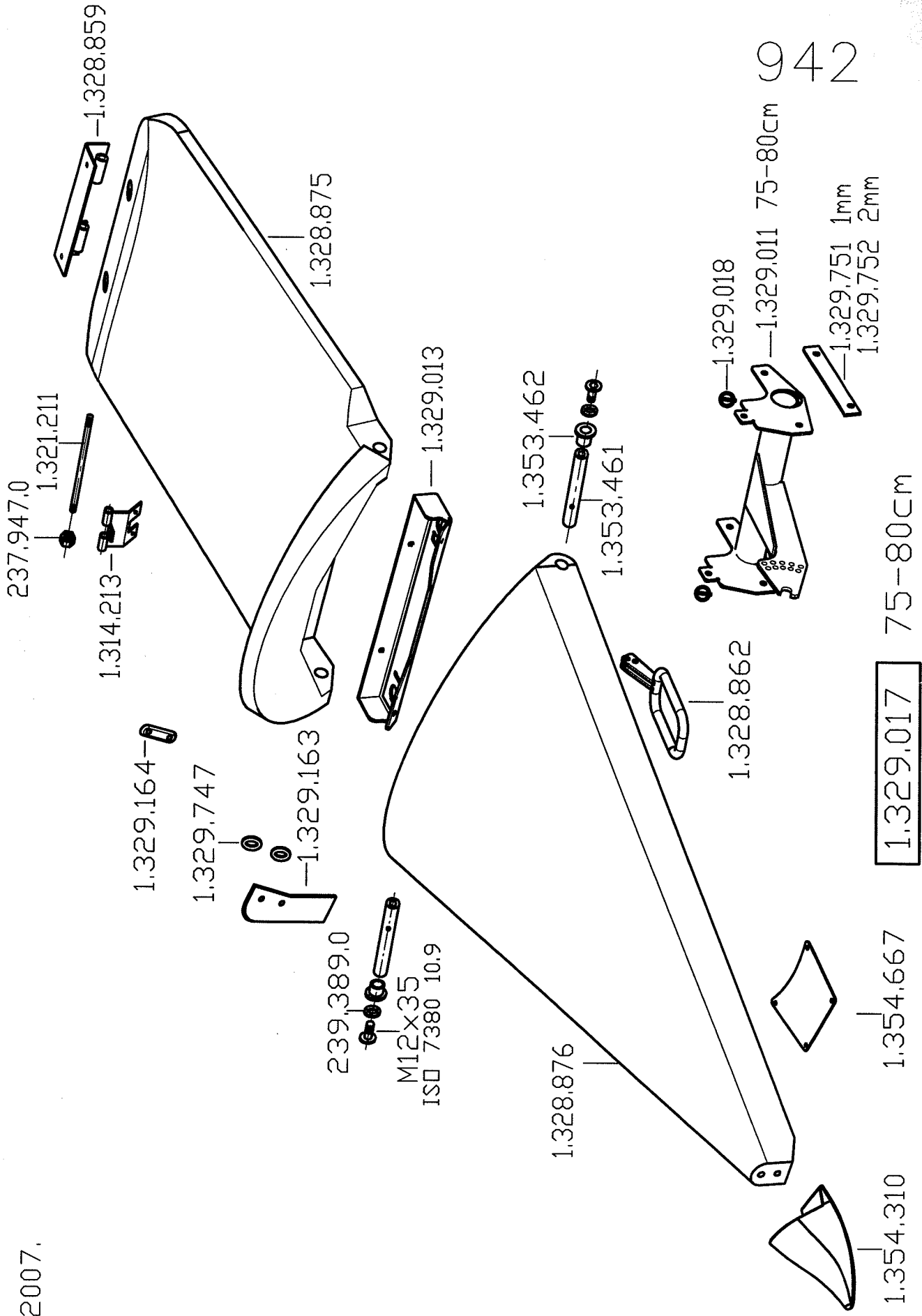


1.315.208  
ELECTRO, HYDRAULIC





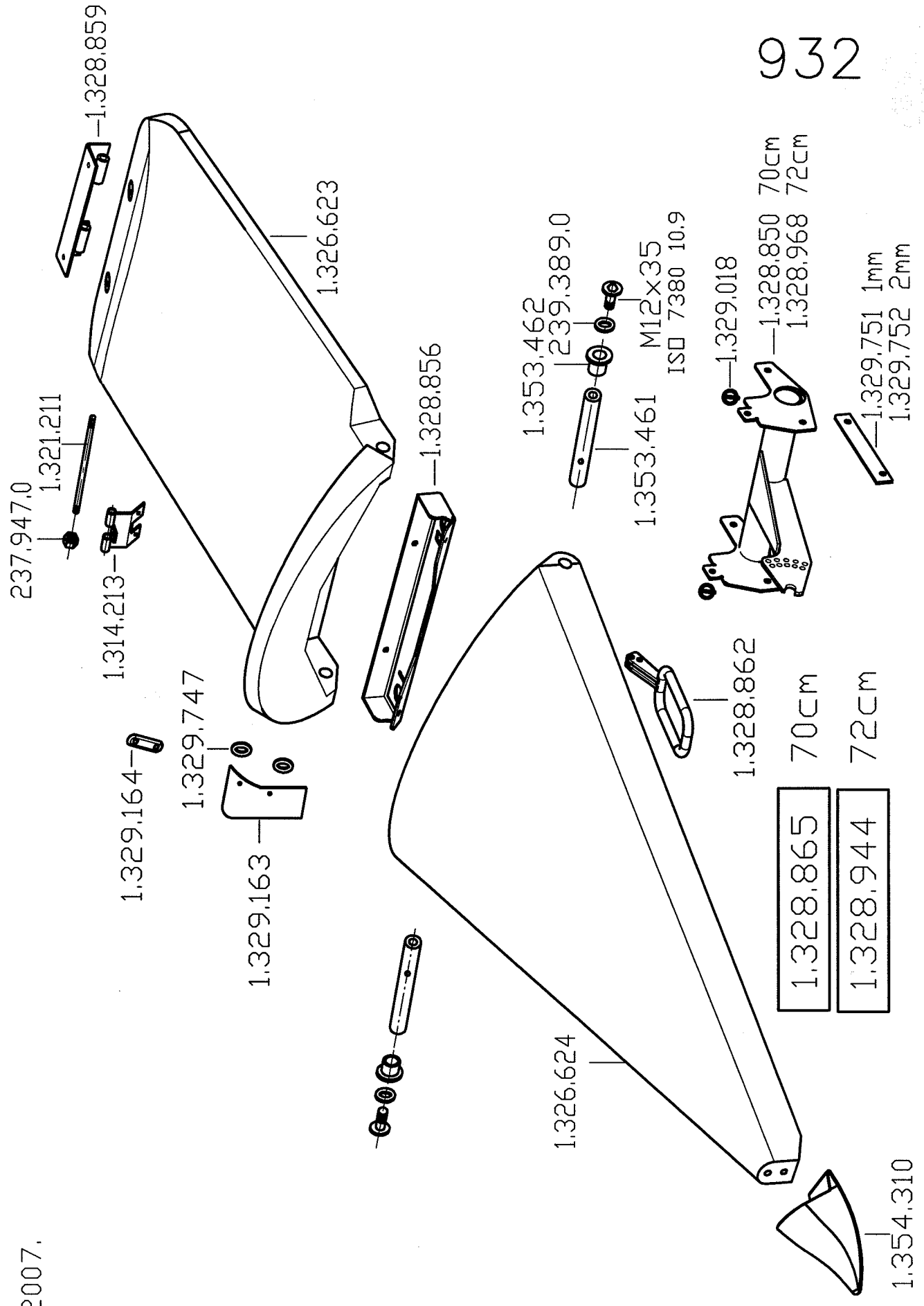
2007.



942

2007.

932



840

1.320.210 B(G)(L)  
1.320.211 J(D)(R)

1.322.335

1.322.523

1.322.337

2008.

1.377.035

1.322.482

1.322.953

1.322.484

1.325.440

1.302.245

1.302.244

1.325.881

1.325.876 B(G)(L)  
1.325.877 J(D)(R)

1.322.794

1.326.876

1.302.222

1.326.878

1.320.308

1.325.893

1.310.009

1.322.481

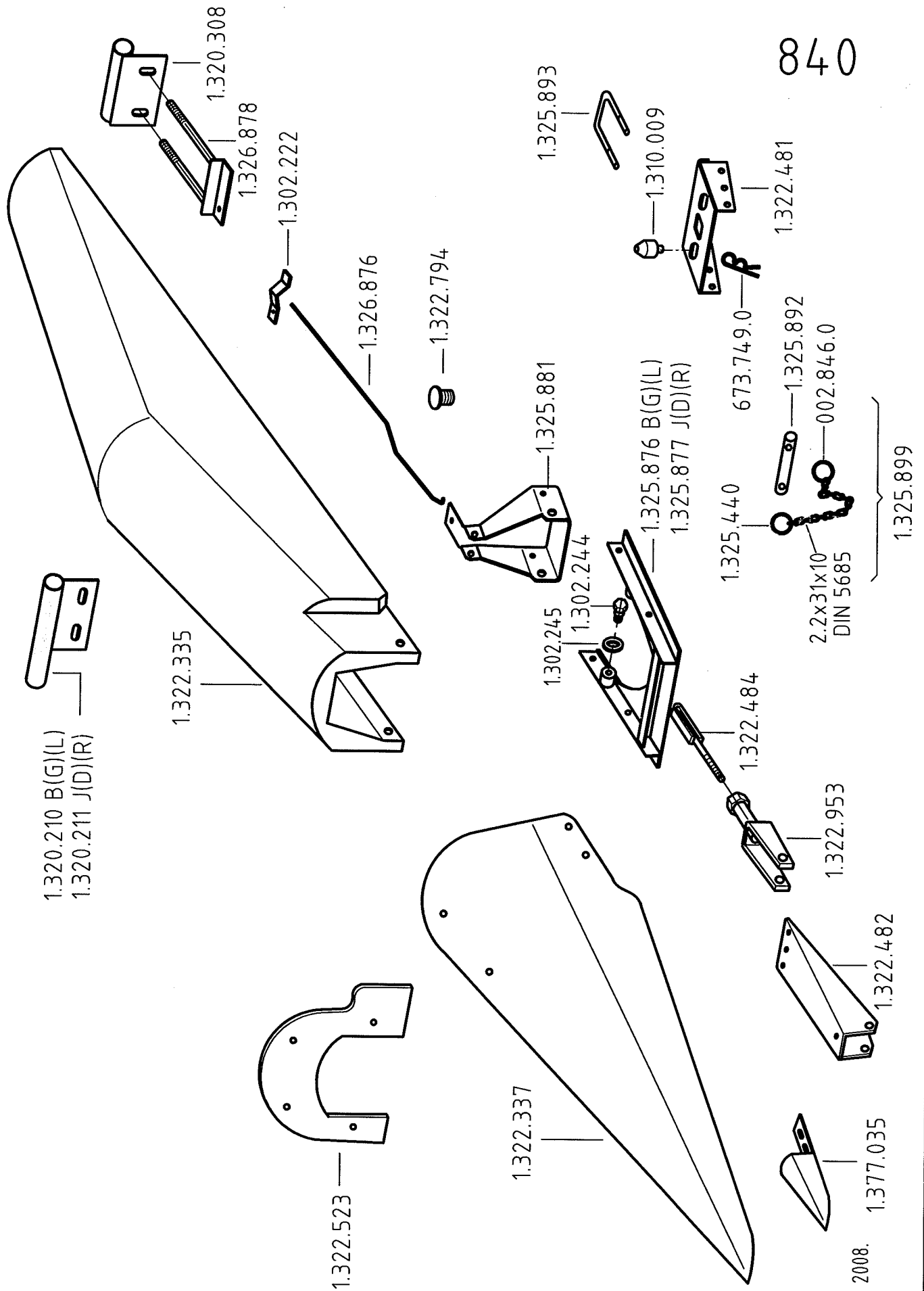
673.749.0

1.325.892

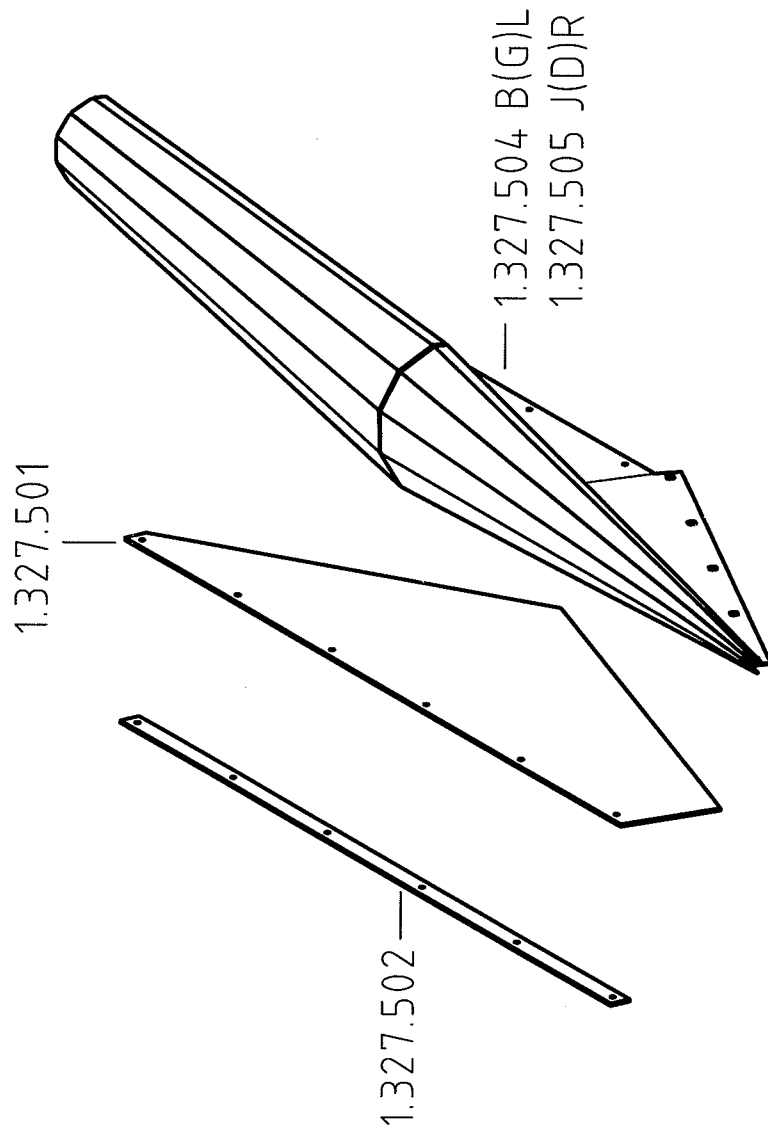
2.2x31x10  
DIN 5685

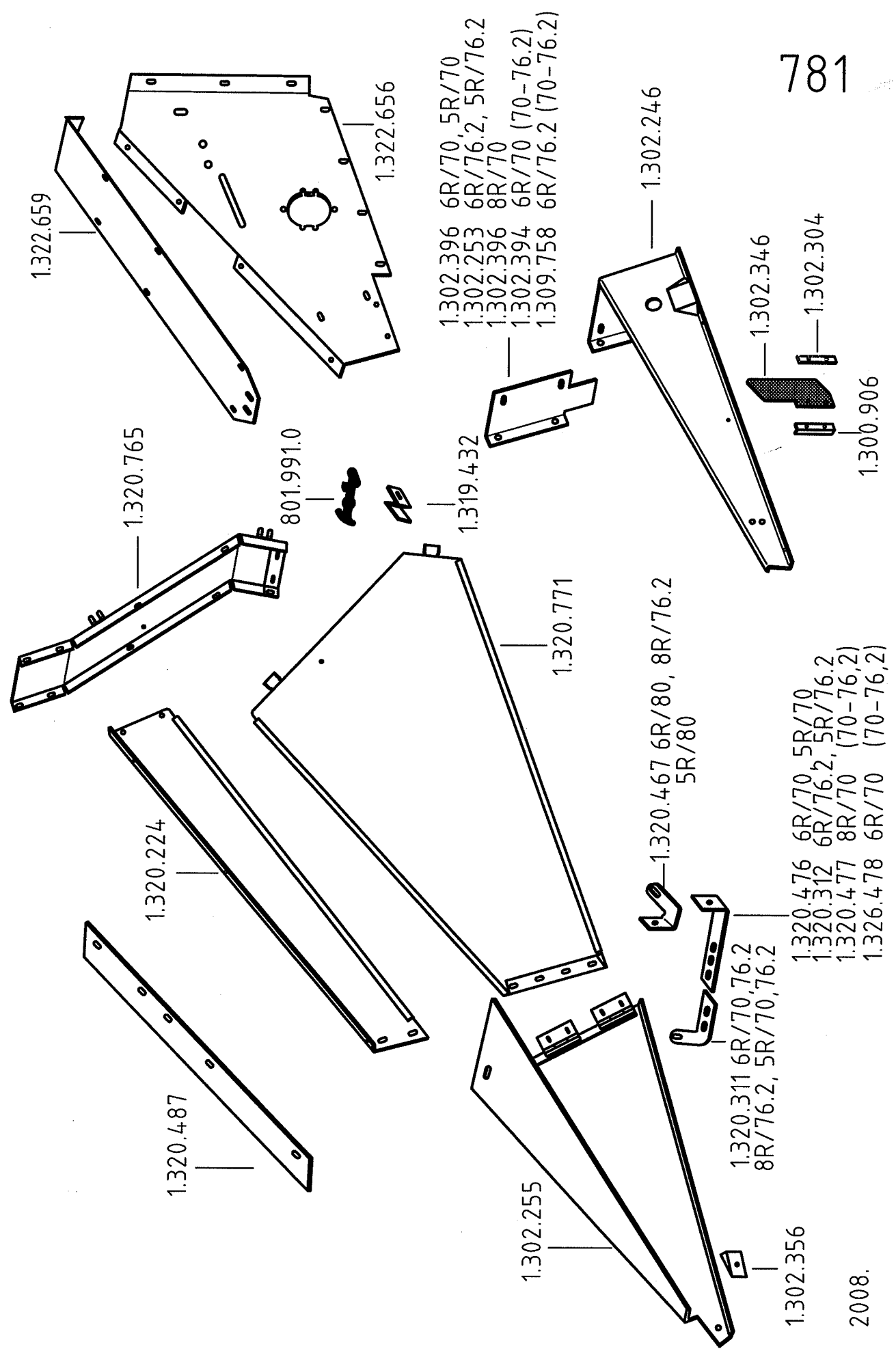
002.846.0

1.325.899

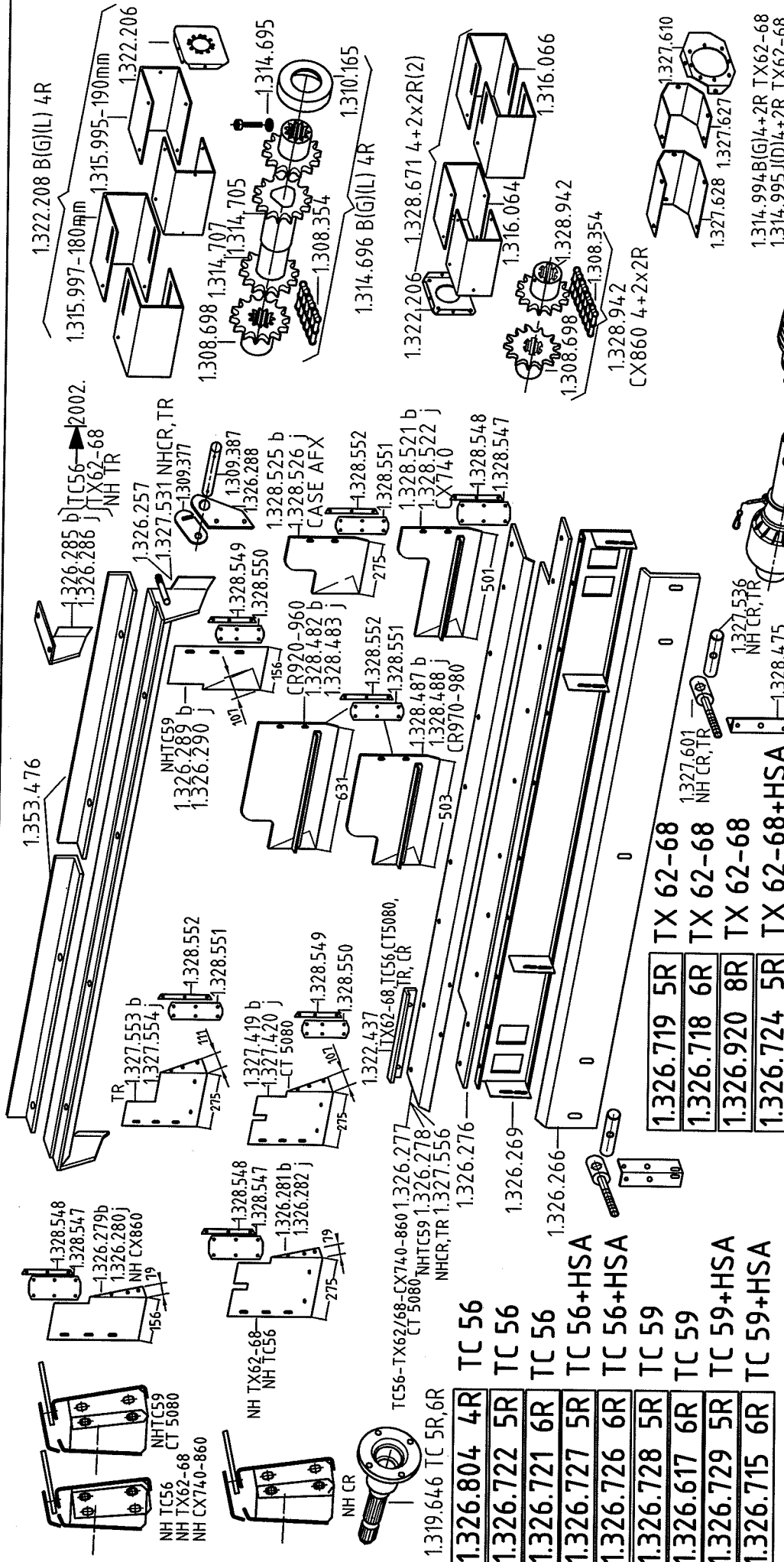


1.327.506 B(G)L  
1.327.507 J(D)R





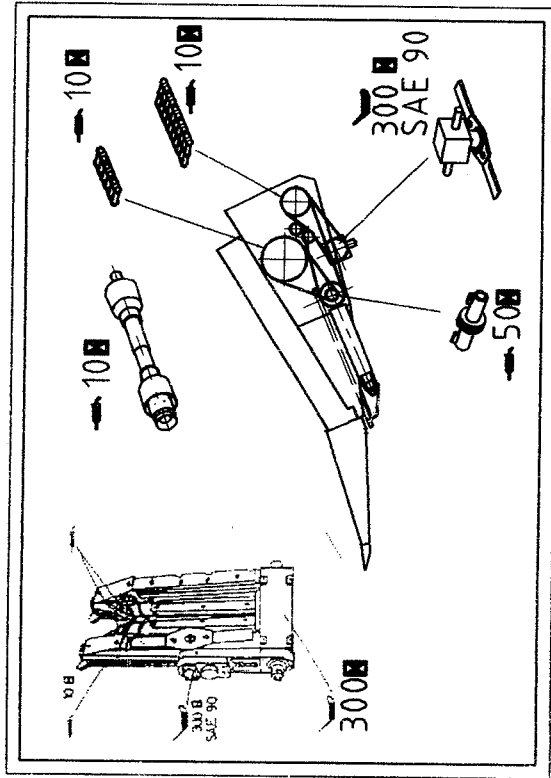




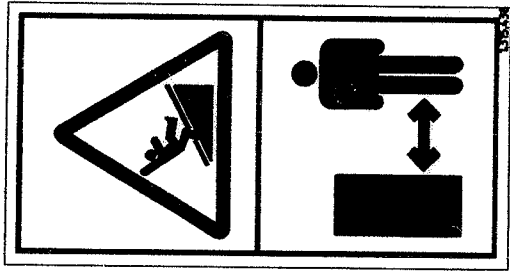
1.326.804	4R	TC 56	1.319.646	TC 5R,6R	1.326.804	4R	TC 56
1.326.722	5R	TC 56	1.326.269	1.326.276	1.326.269	5R	TC 56
1.326.721	6R	TC 56	1.326.266	1.326.266	1.326.266	6R	TC 56
1.326.727	5R	TC 56+HSA	1.326.266	1.326.266	1.326.266	5R	TC 56+HSA
1.326.726	6R	TC 56+HSA	1.326.266	1.326.266	1.326.266	6R	TC 56+HSA
1.326.728	5R	TC 59	1.326.266	1.326.266	1.326.266	5R	TC 59
1.326.617	6R	TC 59	1.326.266	1.326.266	1.326.266	6R	TC 59
1.326.729	5R	TC 59+HSA	1.326.266	1.326.266	1.326.266	5R	TC 59+HSA
1.326.715	6R	TC 59+HSA	1.326.266	1.326.266	1.326.266	6R	TC 59+HSA
1.326.731	5R	TX32-36,TF42-46	1.326.266	1.326.266	1.326.266	5R	TX32-36,TF42-46
897 + 854 pages							
1.326.730	6R	TX32-36,TF42-46	1.326.266	1.326.266	1.326.266	6R	TX32-36,TF42-46
897 + 854 pages							
1.327.678	4+2R	CX740-860+HSA	1.327.601	1.327.601	1.327.601	4+2R	CX740-860+HSA
1.327.681	4+2R	TX 62-68+HSA	1.327.601	1.327.601	1.327.601	4+2R	TX 62-68+HSA
1.328.940	4+2x2R	CX 860	1.327.601	1.327.601	1.327.601	4+2x2R	CX 860
1.326.285 b	TC56	1.326.285 b	TC56	1.326.285 b	TC56	TC56	TC56
1.326.286 j	TX62-68	1.326.286 j	TX62-68	1.326.286 j	TX62-68	TX62-68	TX62-68
1.326.289 b	NH CR	1.326.289 b	NH CR	1.326.289 b	NH CR	NH CR	NH CR
1.326.290 j	NH CR, TR	1.326.290 j	NH CR, TR	1.326.290 j	NH CR, TR	NH CR, TR	NH CR, TR
1.326.257	1.326.257	1.326.257	1.326.257	1.326.257	1.326.257	1.326.257	1.326.257
1.327.531	NHCR, TR	1.327.531	NHCR, TR	1.327.531	NHCR, TR	NHCR, TR	NHCR, TR
1.309.377	1.309.377	1.309.377	1.309.377	1.309.377	1.309.377	1.309.377	1.309.377
1.309.387	1.309.387	1.309.387	1.309.387	1.309.387	1.309.387	1.309.387	1.309.387
1.326.288	1.326.288	1.326.288	1.326.288	1.326.288	1.326.288	1.326.288	1.326.288
1.328.525 b	1.328.525 b	1.328.525 b	1.328.525 b	1.328.525 b	1.328.525 b	1.328.525 b	1.328.525 b
1.328.526 j	CASE AFX	1.328.526 j	CASE AFX	1.328.526 j	CASE AFX	1.328.526 j	CASE AFX
1.328.552	1.328.552	1.328.552	1.328.552	1.328.552	1.328.552	1.328.552	1.328.552
1.328.551	1.328.551	1.328.551	1.328.551	1.328.551	1.328.551	1.328.551	1.328.551
1.328.521 b	1.328.521 b	1.328.521 b	1.328.521 b	1.328.521 b	1.328.521 b	1.328.521 b	1.328.521 b
1.328.522 j	CX740	1.328.522 j	CX740	1.328.522 j	CX740	1.328.522 j	CX740
1.328.548	1.328.548	1.328.548	1.328.548	1.328.548	1.328.548	1.328.548	1.328.548
1.328.547	1.328.547	1.328.547	1.328.547	1.328.547	1.328.547	1.328.547	1.328.547
1.326.279 b	1.326.279 b	1.326.279 b	1.326.279 b	1.326.279 b	1.326.279 b	1.326.279 b	1.326.279 b
1.326.280 j	NH CX860	1.326.280 j	NH CX860	1.326.280 j	NH CX860	1.326.280 j	NH CX860
1.328.548	1.328.548	1.328.548	1.328.548	1.328.548	1.328.548	1.328.548	1.328.548
1.328.547	1.328.547	1.328.547	1.328.547	1.328.547	1.328.547	1.328.547	1.328.547
1.326.281 b	1.326.281 b	1.326.281 b	1.326.281 b	1.326.281 b	1.326.281 b	1.326.281 b	1.326.281 b
1.326.282 j	1.326.282 j	1.326.282 j	1.326.282 j	1.326.282 j	1.326.282 j	1.326.282 j	1.326.282 j
1.327.419 b	1.327.419 b	1.327.419 b	1.327.419 b	1.327.419 b	1.327.419 b	1.327.419 b	1.327.419 b
1.327.420 j	CT 5080	1.327.420 j	CT 5080	1.327.420 j	CT 5080	1.327.420 j	CT 5080
1.328.552	1.328.552	1.328.552	1.328.552	1.328.552	1.328.552	1.328.552	1.328.552
1.328.551	1.328.551	1.328.551	1.328.551	1.328.551	1.328.551	1.328.551	1.328.551
1.327.437	1.327.437	1.327.437	1.327.437	1.327.437	1.327.437	1.327.437	1.327.437
1.327.437	TX62-68, TC56, CT5080, TR, CR	1.327.437	TX62-68, TC56, CT5080, TR, CR	1.327.437	TX62-68, TC56, CT5080, TR, CR	1.327.437	TX62-68, TC56, CT5080, TR, CR
1.327.419 b	1.327.419 b	1.327.419 b	1.327.419 b	1.327.419 b	1.327.419 b	1.327.419 b	1.327.419 b
1.327.420 j	1.327.420 j	1.327.420 j	1.327.420 j	1.327.420 j	1.327.420 j	1.327.420 j	1.327.420 j
1.328.549	1.328.549	1.328.549	1.328.549	1.328.549	1.328.549	1.328.549	1.328.549
1.328.550	1.328.550	1.328.550	1.328.550	1.328.550	1.328.550	1.328.550	1.328.550
1.326.276	1.326.276	1.326.276	1.326.276	1.326.276	1.326.276	1.326.276	1.326.276
1.326.269	1.326.269	1.326.269	1.326.269	1.326.269	1.326.269	1.326.269	1.326.269
1.326.266	1.326.266	1.326.266	1.326.266	1.326.266	1.326.266	1.326.266	1.326.266
1.326.266	1.326.266	1.326.266	1.326.266	1.326.266	1.326.266	1.326.266	1.326.266
1.327.536	NH CR, TR	1.327.536	NH CR, TR	1.327.536	NH CR, TR	1.327.536	NH CR, TR
1.328.475	1.328.475	1.328.475	1.328.475	1.328.475	1.328.475	1.328.475	1.328.475
1.326.719	5R	TX 62-68	1.326.719	5R	TX 62-68	1.326.719	5R
1.326.718	6R	TX 62-68	1.326.718	6R	TX 62-68	1.326.718	6R
1.326.920	8R	TX 62-68	1.326.920	8R	TX 62-68	1.326.920	8R
1.326.724	5R	TX 62-68+HSA	1.326.724	5R	TX 62-68+HSA	1.326.724	5R
1.326.723	6R	TX 62-68+HSA	1.326.723	6R	TX 62-68+HSA	1.326.723	6R
1.326.270	5R	CX 740-860, CS 540-560	1.326.270	5R	CX 740-860, CS 540-560	1.326.270	5R
1.326.564	6R	CX 740-860, CS 540-560	1.326.564	6R	CX 740-860, CS 540-560	1.326.564	6R
1.326.714	5R	CX 740-860, CS 540-560+HSA	1.326.714	5R	CX 740-860, CS 540-560+HSA	1.326.714	5R
1.326.652	6R	CX 740-860, CS 540-560+HSA	1.326.652	6R	CX 740-860, CS 540-560+HSA	1.326.652	6R
1.327.468	8R	CX 740-860 + HSA	1.327.468	8R	CX 740-860 + HSA	1.327.468	8R
1.325.852	4+2RS	CX740-860+HSA	1.325.852	4+2RS	CX740-860+HSA	1.325.852	4+2RS
1.326.883	4+2RS	TX 62-68+HSA	1.326.883	4+2RS	TX 62-68+HSA	1.326.883	4+2RS

897

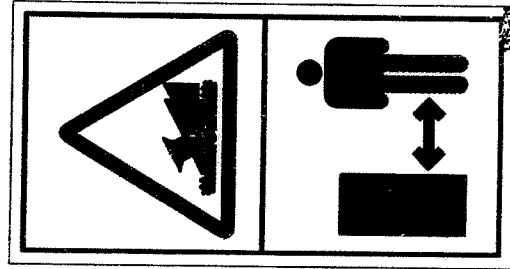




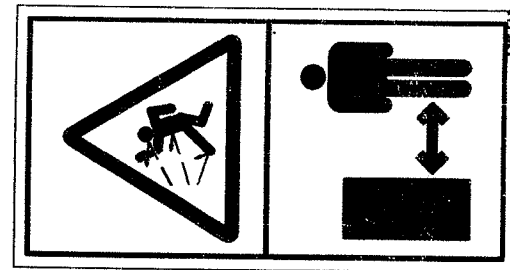
1.315.111



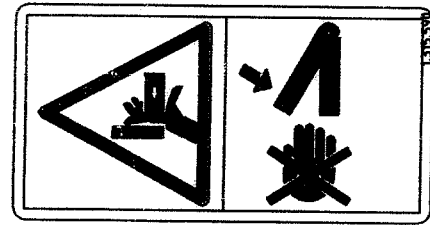
1.315.438



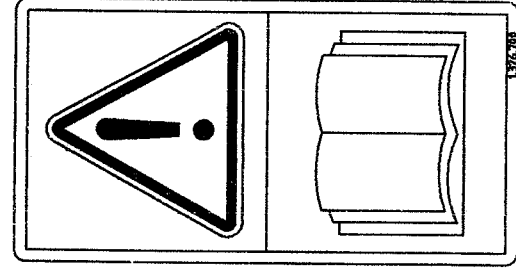
1.315.439



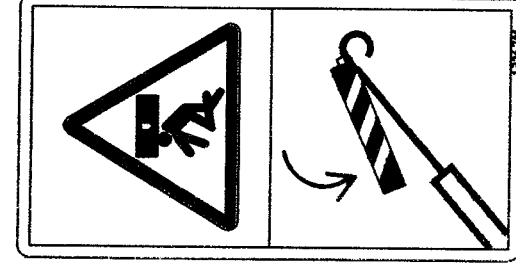
1.315.440



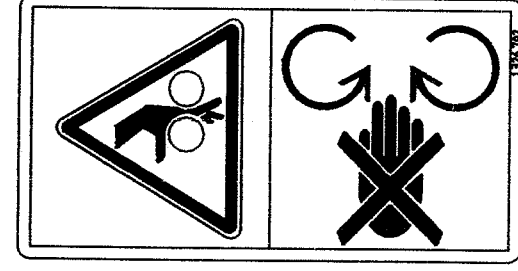
1.315.590



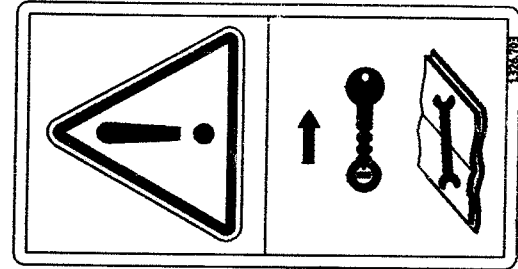
1.326.700



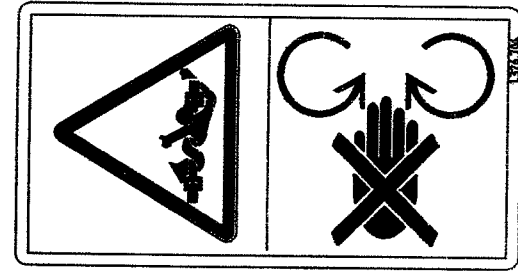
1.326.701



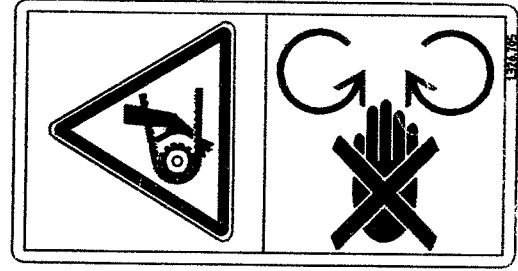
1.326.702



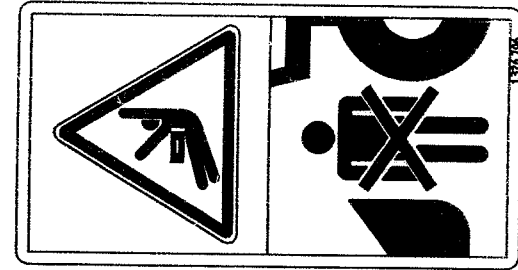
1.326.703



1.326.704



1.326.705



1.326.706